

26 AUG 10

- PLEASE SCAN YOUR HW
- Hand-in signed expectations
- ARITHMETIC / ALGEBRA PRACTICE
- LESSON: PERIMETER
- PRACTICE: PERIMETER
- HOMEWORK

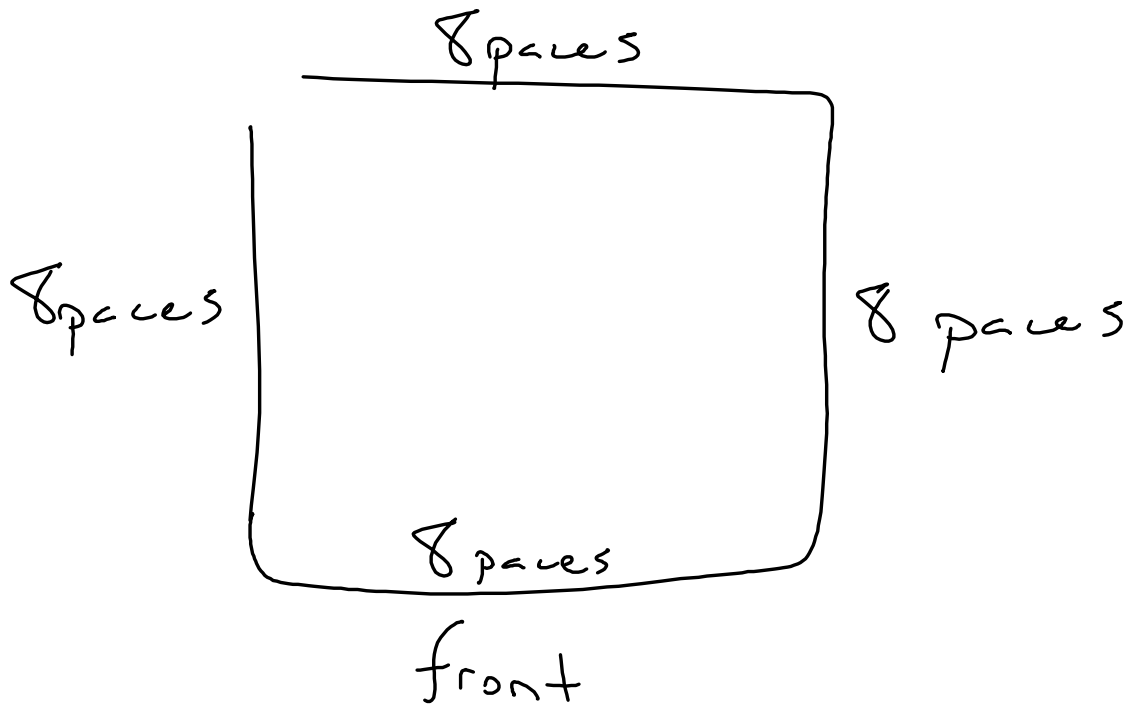
★ end of page

# PERIMETER

peri means "around"

meter means "to measure"

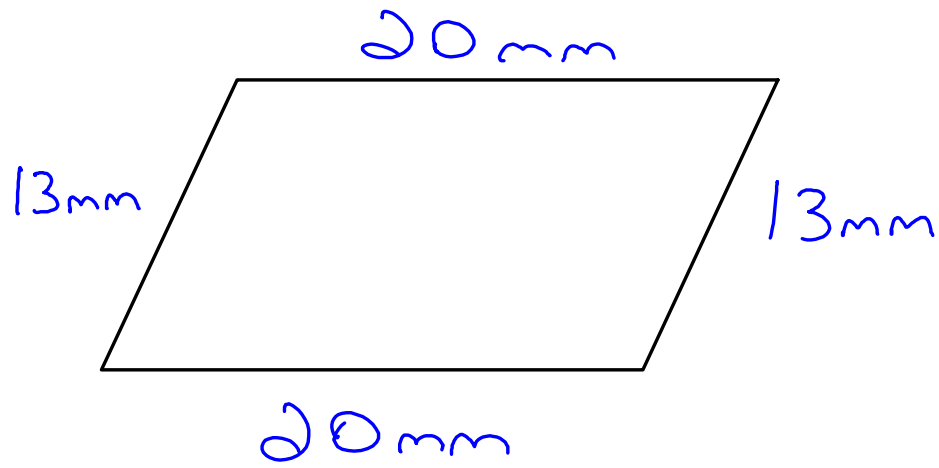
So... perimeter means  
"to measure around"



$$P = \underbrace{8 + 8}_{16} + \underbrace{8 + 8}_{16} = 32 \text{ paces}$$

\* end of page

# EXAMPLE



★ end of page

about 58mm

notes2

little marks  
are mm



★ end of page