

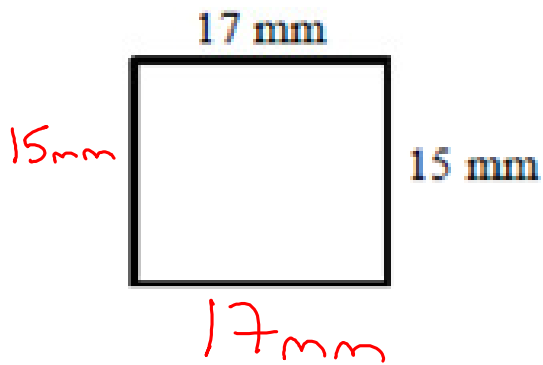
30 AUG 10

- Arithmetic/Algebra Practice
- Geometry: continue PERIMETER
- Practice Perimeter: Measuring
- Monday's Homework

★ end of page

EXAMPLE 1

Find the perimeter of the rectangle.



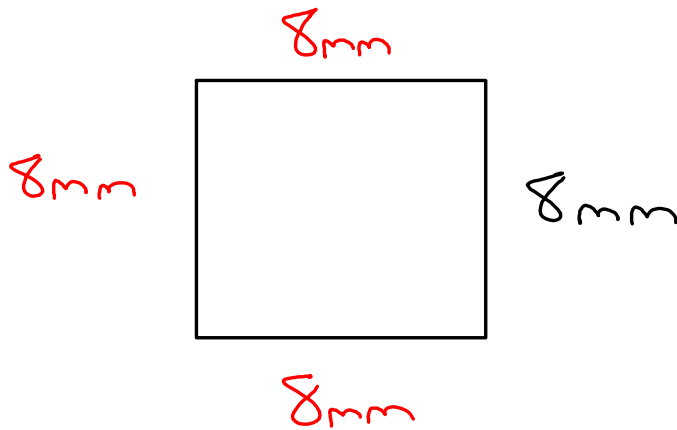
$$15 + 17 + 15 + 17 = 64 \text{ mm}$$

★ end of page

EXAMPLE 2

notes2

find the perimeter of the SQUARE



$$P = 8\text{mm} + 8\text{mm} + 8\text{mm} + 8\text{mm}$$

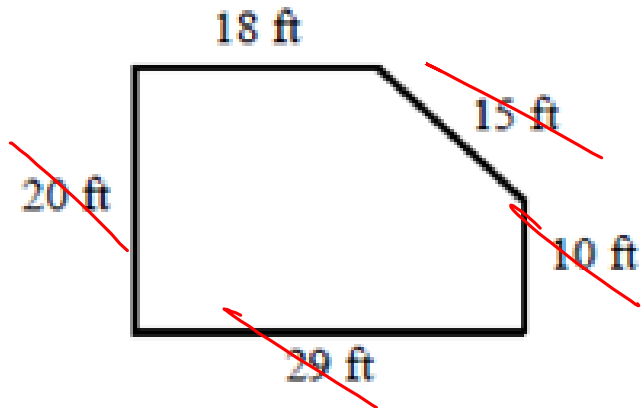
$$= 32\text{mm}$$

★ end of page

EXAMPLE 3

notes3

Find the perimeter.



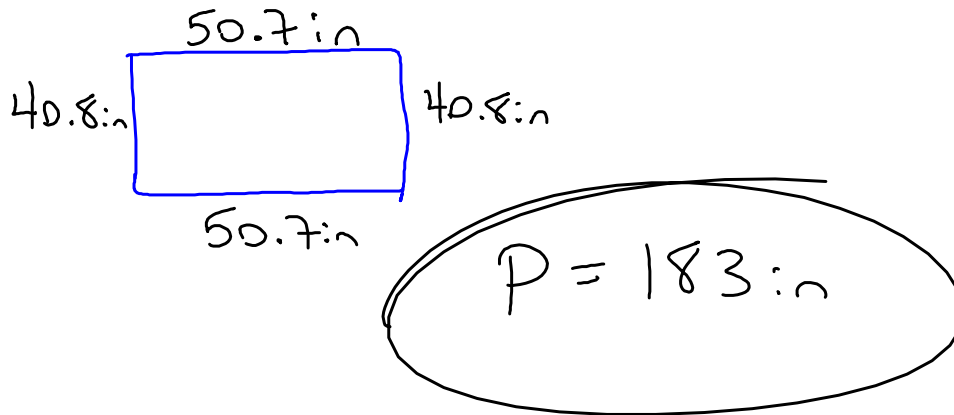
$$P = 15 + 10 + 29 + 20 + 18 = 92 \text{ ft}$$

★ end of page

EXAMPLE 4

notes4

Find the perimeter of a rectangle 50.7 inches long and 40.8 inches wide.



★ end of page